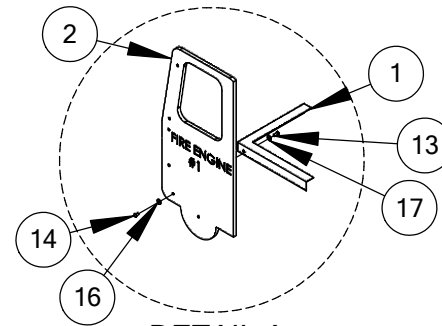




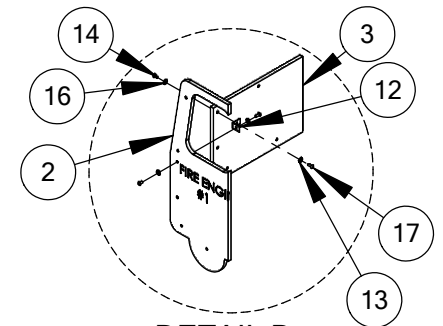
# FIRE TRUCK

902-812-F

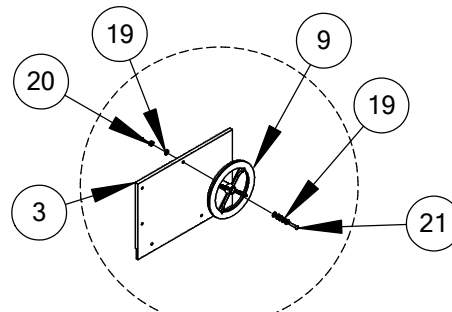
ITEM NO.	PART NUMBER	DESCRIPTION	QTY.
1	903-849	School Bus Frame	1
2	913-305	Firetruck Left Side	1
3	913-308	Firetruck Grill	1
4	913-306	Firetruck Right Side	1
5	903-848	School Bus Bottom	1
6	913-309	Firetruck Window	1
7	913-310	Firetruck Divider	1
8	913-307	Firetruck Back	1
9	905-117	Steering Wheel	1
10	904-808	Firetruck Tires	6
11	363-950	Springs Assembly	4
12	905-803	Corner Brackets	16
13	216-512	5/16" x 1" Buttonhead Nut	56
14	116-529	5/16" x 3/4" Buttonhead Bolt	48
15	116-531	5/16" X 1-1/4" Buttonhead Bolt	6
16	316-501	5/16" Flat Washer	54
17	316-601	3/8" Flat Washer	54
18	196-644	3/8" x 8" Anchor Bolt	16
19	316-801	1/2" Flat Washer	5
20	226-802	1/2" Nylon Lock Nut	1
21	196-810	1/2" x 3" Hex Head Bolt	1
22	416-350	3-16" Socket Key	2
23	416-505	7/32" Long Arm Socket Key	1
24	516-400	Red Lock Tite	4



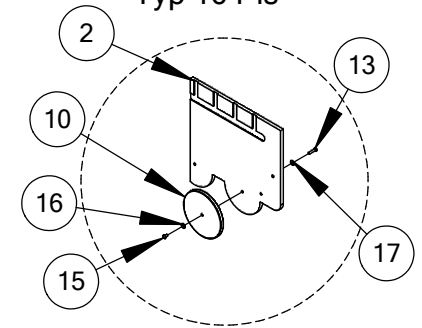
DETAIL A  
Typ 16 Pls



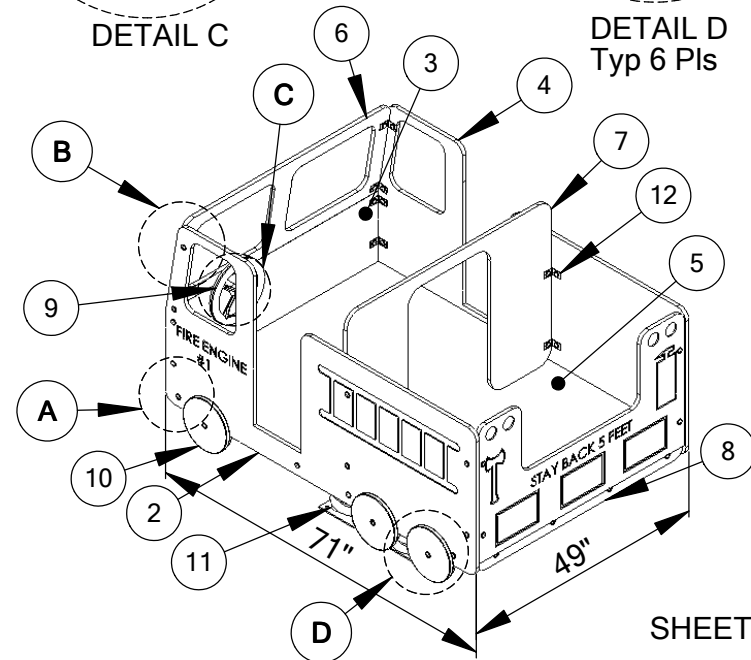
DETAIL B  
Typ 16 Pls



DETAIL C



DETAIL D  
Typ 6 Pls

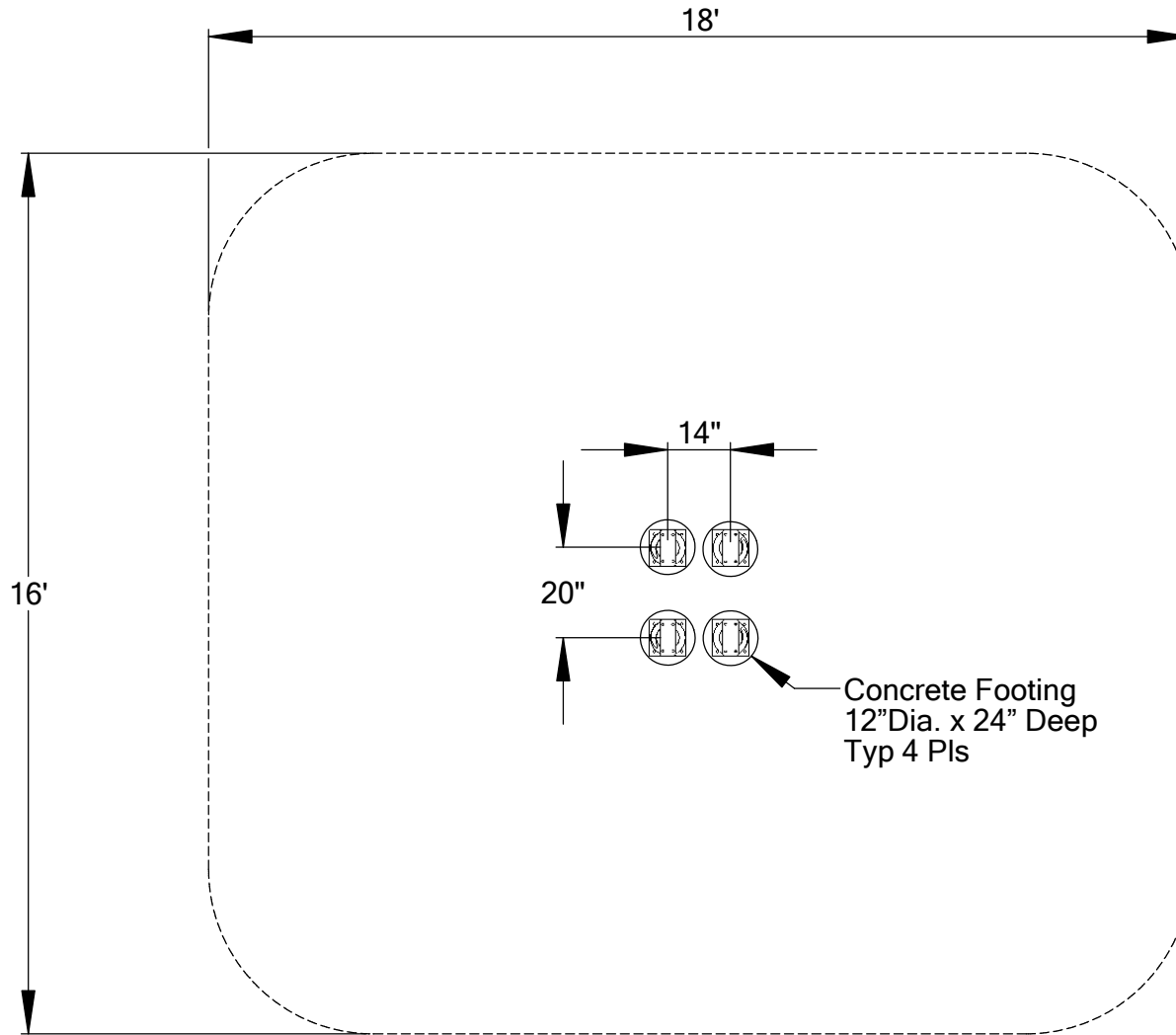


SHEET 1 of 3



# FIRE TRUCK

902-812-F





# FIRE TRUCK

902-812-F

## IMPORTANT

PLEASE RETAIN THIS INSTRUCTION IN YOUR FILES. IT CONTAINS IMPORTANT REPLACEMENT PARTS INFORMATION. ALL EQUIPMENT SHOULD BE INSTALLED IN ACCORDANCE WITH THESE INSTRUCTIONS.

IT IS IMPORTANT TO USE AND MAINTAIN ALL PUBLIC PLAYGROUND EQUIPMENT PROPERLY. PLAYGROUND EQUIPMENT, WHICH IS IMPROPERLY MAINTAINED, CAN CAUSE SERIOUS INJURY. PERIODICAL INSPECTIONS, MAINTENANCE, REPAIR AND/OR REPLACEMENT OF DAMAGED PARTS IS NECESSARY FOR SAFE OPERATION OF EQUIPMENT AND SAFETY OF USERS. RESILIENT SURFACING SHOULD BE USED UNDER ALL PLAYGROUND EQUIPMENT. APPROPRIATE PUBLICATION, AVAILABLE AT NO CHARGE, FROM THE CONSUMER PRODUCTS SAFETY COMMISSION, INCLUDE " A HANDBOOK FOR PUBLIC PLAYGROUND SAFETY." YOU CAN RECEIVE YOUR FREE COPY BY CALLING 1-301-504-7908

## GENERAL ASSEMBLY INSTRUCTIONS:

Check all the parts and hardware with the packing list to be sure you have received everything needed to assemble this product.

**CONTACT YOUR LOCAL DISTRIBUTOR WITH NOTIFICATION OF ANY MISSING OR DAMAGED PARTS.** Contact must be made within 10 days of receipt of your order.

Only hand-tighten nuts and bolts on initial assembly. Final tightening should be done **EVENLY** after final assembly when unit has been plumbed and leveled.

## GENERAL MAINTENANCE INSTRUCTIONS:

Check **MONTHLY** for loose bolts, damaged, or broken parts. Tighten and/or replace immediately.

If using a pour in place safety surfacing you may dig the footing holes but you must install the anchors in the concrete only after having the framework on site to use as a template.

## SPECIFIC ASSEMBLY INSTRUCTIONS:

Note: Use red locktite on all hardware during installtion. Make sure installtion is correct before using locktite.

STEP 1: Begin by placing the steel frame w/connected springs in the desired location keeping in mind to use all the required safety fall zones ( at least 6' from any stationary objects of 12' from any other play component). Mark the hole locations for the 4 springs, this will be one hole at least 16" deep.

STEP2: Dig hole and pour concrete all the way to the top of the main ground level. After pouring the concrete use some type of block to shim the steel framework off the ground so that the springs sit on the ground. You will now place the framework into the correct location with the spring bottom base setting flat on top of the concrete and use the blocks to hold the weight of the frame to keep it from sinking into the concrete. Once placed firmly in its final location, slide the concrete anchor rods through the spring base and down into the concrete (bend side down). Repeat this for the remaining 15 concrete anchors. Be sure to install the washer and nut (with no threads showing) onto each of the anchors when setting them into the concrete. You will tighten them down once the concrete has completely cured (about 24 Hrs.

STEP 3: Place the green tread safe panel onto the framework, this panel does not get bolted to the frame.

STEP 4: Attach one of the side pieces to the frame using 5/16" x 3/4" bolts, 5/16" x 1" nuts, 5/16" washers and 3/8" washer. NOTE: Be sure the holes in the panel frame line up, there is a front and back to the frame.

STEP 5: Now you can work your way around the fire truck attaching the back panel to the frame and then to the side piece. Continue around until all pieces are attached to the frame and each other

STEP 6: Now attach the center divider between the 2 side pieces with the 4 corner brackets and hardware. Tighten all hardware.

STEP 7: Attach the steering wheel using the 1/2" x 3"hex bolt , five 1/2 flat washers, and 1/2" locknut. the extra washers are used as spacers between the wheel and panel, it may not be necessary to use all five.

Step 8: Attach the tires by using the 5/16" x 1-1/4" bolts,5/16" x 1" nut, 5/16" flat washers and 3/8" flat washers.

